

Gasoline containing up to 10% ethanol (E10) is acceptable for use in this machine. The use of any gasoline exceeding 10% ethanol (E10) will void the product warranty.

Parts Manual

RZ5424 / 967003701



Please read the operator's manual carefully and make sure you understand the instructions before using the machine.

When you need spare parts or support in service questions, warranty issues, etc., please consult the following professional:

This manual belongs to the machine with the manufacturing number:	Engine	Transmission

Manufacturing Number

The machine's manufacturing number can be found on the printed plate affixed to the engine compartment.

Stated on the plate, from the top are:

- The machine's type designation (I.D.).
- The manufacturer's type number (Model).
- The machine's serial number (Serial no.)

Please have the type designation and serial number available when ordering spare parts.

The engine's manufacturing number is stamped on one of the valve covers.

The plate states:

- The engine's model.
- The engine's type.
- Code

Please have these available when ordering spare parts.

The wheel motors and hydrostatic pumps have a barcode decal affixed at the rear.

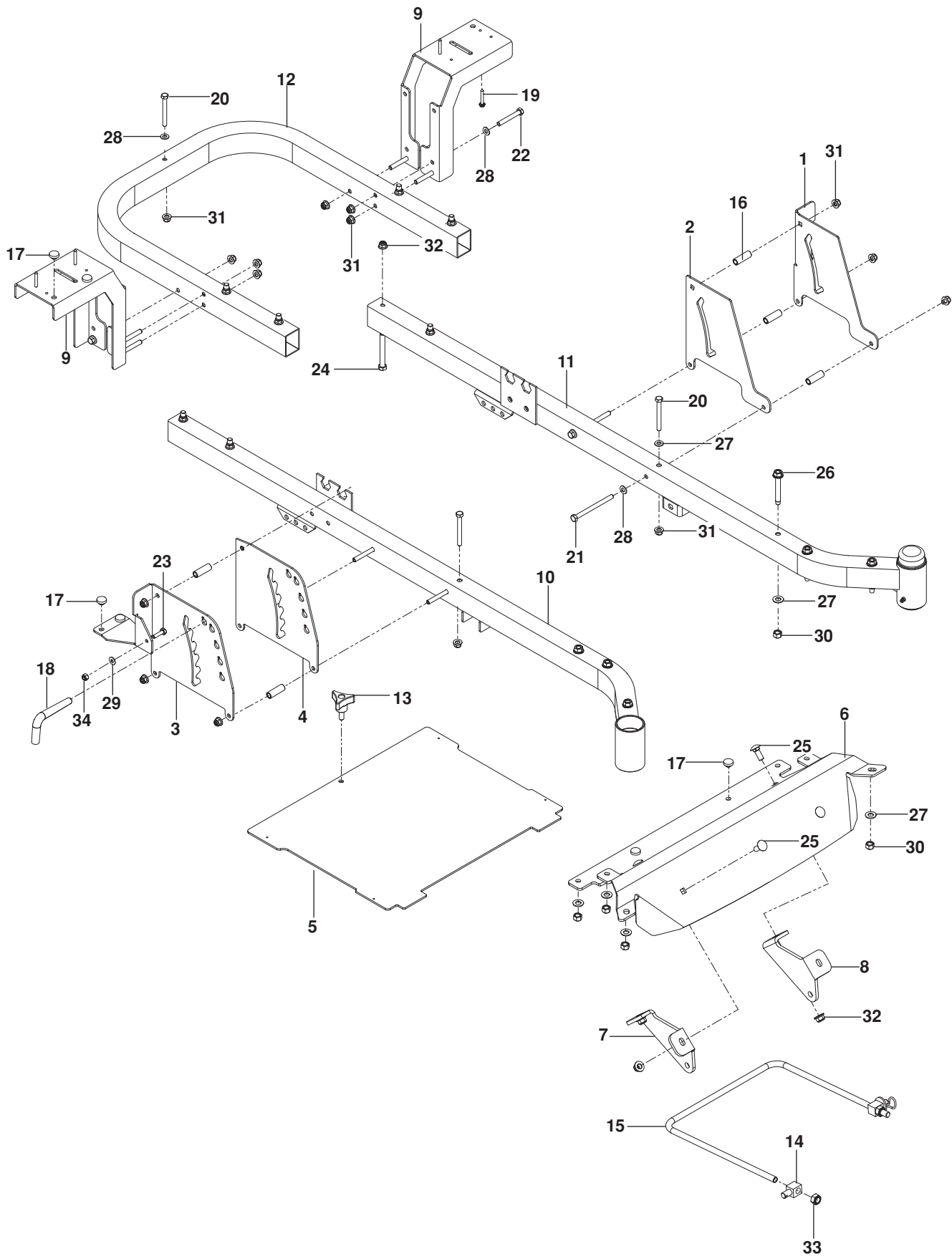
Accessories Available	
Collection System	966 004201
Mulch Kit.....	531 309643

CONTENTS

FRAME.....	4
ENGINE PLATE.....	6
STEERING	8
IGNITION.....	10
BRAKE / LIFT.....	12
HYDRAULIC PUMP - MOTOR.....	14
WHEELS AND TIRES.....	16
MOWER DECK / CUTTING DECK.....	18
SEAT	20
DECALS.....	22
ACCESSORIES	
BAGGER.....	24
CHUTES, MOUNT.....	26

NOTE ALL FASTENERS ARE GRADE 5 UNLESS OTHERWISE SPECIFIED.

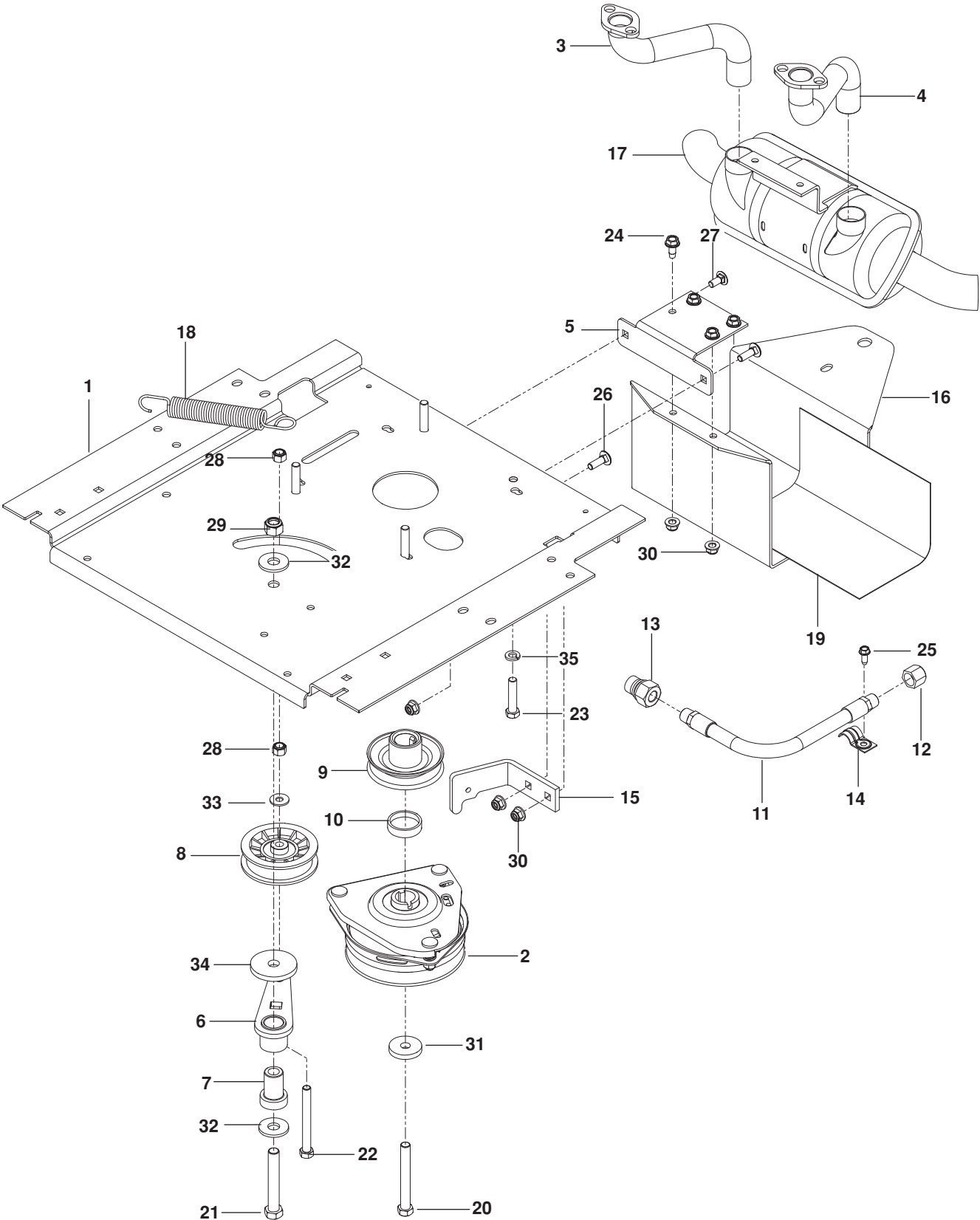
FRAME



FRAME

ITEM	PART NO.	QTY.	DESCRIPTION	ITEM	PART NO.	QTY.	DESCRIPTION
1..	510 261802....	1....	PLATE, OUTER BRAKE BLK	18..	510 016503....	1....	LIFT PIN
2..	510 206703....	1....	PLATE, BRAKE LATCH BLK	19..	539 110674....	4....	SCREW 10-12 x 1¼ HEX WSH
3..	580 528002....	1....	PLATE, LIFT OUTER BLK	20..	874 780544....	3....	HCS 5/16-18 x 2¾
4..	510 240502....	1....	PLATE, LIFT INNER BLK	21..	874 780564....	4....	HCS 5/16-18 x 4
5..	522 842902....	1....	FOOT PLATE w/ SFTY DECLS	22..	874 780536....	6....	HCS 5/16-18 x 2¼
6..	522 719506....	1....	FOOT REST ORG	23..	874 780416....	2....	HCS ¼-20 x 1
7..	581 222802....	1....	MOUNT, STRUT RT BLK	24..	874 780648....	8....	HCS 3/8-16 x 3
8..	581 222902....	1....	MOUNT, STRUT LT BLK	25..	872 141608....	4....	RHSNB 3/8-16 x 1
9..	510 225902....	2....	SUPPORT, FENDER BLK	26..	817 490642....	6....	BOLT 3/8-16 x 25/8 THD FRM
10..	510 177503....	1....	FRAME, FRONT RT ORG	27..	819 141614....	6....	WASHER 3/8 STD FLT
11..	510 177403....	1....	FRAME, FRONT LT ORG	28..	819 111116..	13....	WASHER 5/16 SAE FLT
12..	510 177603....	1....	FRAME, REAR TUBE ORG	29..	819 091016....	2....	WASHER ¼ FLAT SAE ZD
13..	539 104411....	1....	KNOB w/ STUD	30..	539 200282....	6....	NUT 3/8-16 HEX JAM NYLOC
14..	581 514301....	2....	SWIVEL	31..	539 112899..	15....	NUT 5/16-18 HEX FLG NYLOC
15..	521 938101....	1....	LINK, FRONT SUSPENSION	32..	521 996501....	8....	NUT 3/8-16 HEX FLG NYLOC
16..	580 486101....	6....	SPACER ½ OD x 1½	33..	539 119124....	2....	NUT 7/16-14 HEX NYLOC
17..	539 102587....	6....	GROMMET, BUMPER	34..	873 800400....	2....	NUT ¼-20 HEX NYLOC

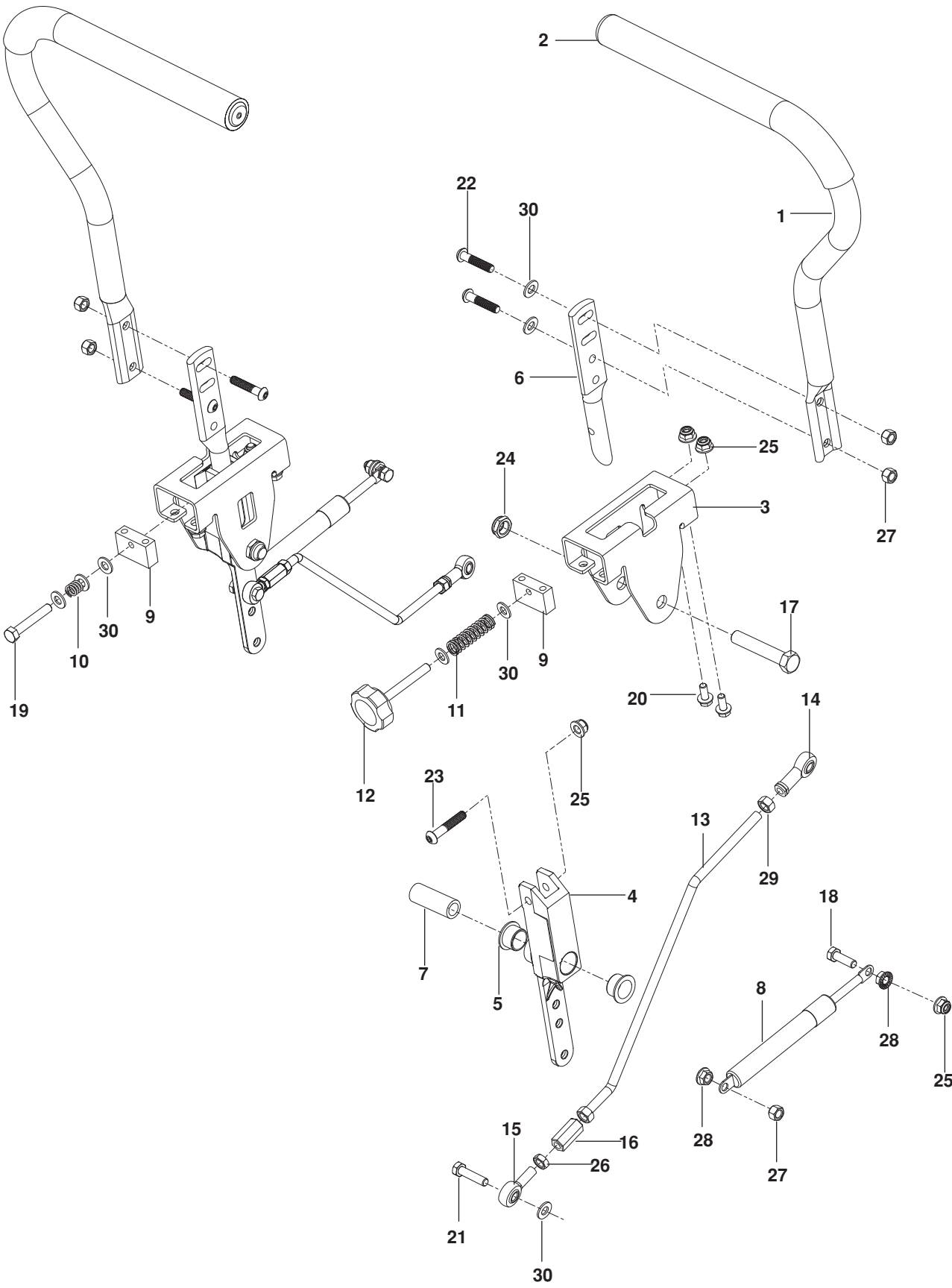
ENGINE PLATE



ENGINE PLATE

ITEM	PART NO.	QTY.	DESCRIPTION	ITEM	PART NO.	QTY.	DESCRIPTION
1..	532 448161....	1....	PLATE, ENGINE BLK	20..	581 3328031..	1....	HCS 7/16-20 x 2 1/2
2..	532 400008....	1....	CLUTCH	21..	539 103433....	1....	HCS 1/2-13 x 3 1/4
3..	581 726501....	1....	TUBE, EXHAUST RT	22..	539 109389....	1....	HCS 3/8-16 x 3 1/2
4..	581 726401....	1....	TUBE, EXHAUST LT	23..	539 976949....	4....	HCS 3/8-16 x 1 3/4
5..	510 260402....	1....	BRACKET, MUFFLER BLK	24..	539 107475....	4....	BOLT 5/16-18 x 3/4 THD FRM
6..	539 112092....	1....	ARM, IDLER	25..	539 990362....	1....	SCREW 1/4-20 x 5/8 THD FRM
7..	539 101231....	1....	SPINDLE, IDLER	26..	539 990208....	2....	RHSNB 5/16-18 x 1
8..	539 110311....	1....	PULLEY, IDLER	27..	539 990316....	2....	RHSNB 5/16-18 x 3/4
9..	539 114530....	1....	PULLEY, ENGINE	28..	539 976979....	2....	NUT 3/8-16 HEX NYLOC
10..	577 094601....	1....	SPACER	29..	539 101331....	1....	NUT 1/2-13 HEX NYLOC
11..	584 825501....	1....	HOSE, DRAIN	30..	539 112899....	5....	NUT 5/16-18 HEX FLG NYLOC
12..	539 101364....	1....	PLUG, OIL	31..	539 110064....	1....	WASHER, CLUTCH
13..	522 599001....	1....	ADAPTER, OIL DRAIN	32..	539 109554....	2....	WASHER 1/2 FLT
14..	539 101363....	1....	CLAMP	33..	539 990692....	2....	WASHER 5/16 STD FLT
15..	522 442506....	1....	STOP, CLUTCH BLK	34..	539 112670....	1....	WASHER, HEAVY
16..	584 989802....	1....	GUARD, MUFFLER BLK	35..	539 990118....	4....	WASHER 3/8 SPLT LK
17..	581 726301....	1....	MUFFLER ASSY				NOT SHOWN
18..	532 196105....	1....	SPRING, DECK DRIVE		532 198316 ...	1....	ADAPTER, CLUTCH
19..	539 132859....	1....	SHIELD, MUFFLER		522 598601 ...	1....	PIGTAIL

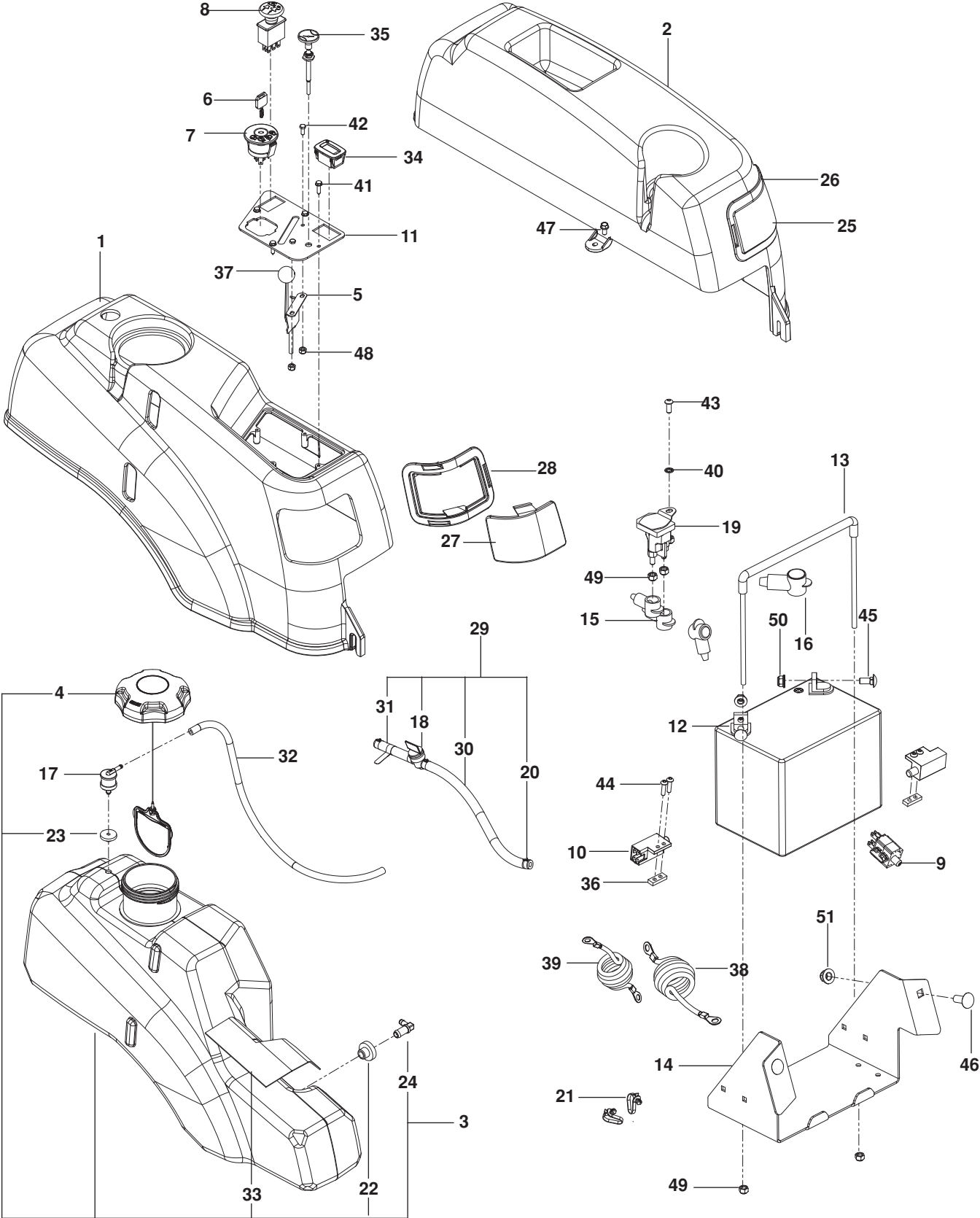
STEERING



STEERING

ITEM	PART NO.	QTY.	DESCRIPTION	ITEM	PART NO.	QTY.	DESCRIPTION
1..	579 036901....	2....	LEVER w/ GRIP	16..	539 116689....	2....	COUPLER, ROD END
2..	525 392901....	2....	GRIP, FOAM	17..	539 101332....	2....	HCS 1/2-13 x 2 3/4
3..	577 251701....	2....	BRACKET, CONTROL	18..	539 990209....	2....	HCS 5/16-18 x 1
4..	539 131518....	4....	BEARING, FLANGE	19..	539 976935....	1....	HCS 5/16-18 x 1 1/2
5..	576 140301....	2....	LEVER, CONTROL	20..	525 464701....	8....	HHFS 5/16-18 X 3/4
6..	577 420001....	2....	LEVER, HANDLE	21..	539 990669....	2....	HCS 5/16-18 x 1 3/4 TPBLT
7..	577 252401....	2....	SPACER, PIVOT CONTROL	22..	578 296402....	4....	SCREW 5/16-18 X 1 1/2 BTN HD
8..	539 102720....	2....	DAMPENER	23..	576 850402....	2....	SCREW 5/16-18 X 1 3/4 BTN HD
9..	577 251801 ...	2....	BLOCK, TRACKING	24..	539 108010....	2....	NUT 1/2-13 HEX JAM NYL GR2
10..	539 102845....	1....	SPRING	25..	539 112899..	10....	NUT 5/16-18 HEX FLG NYLOC
11..	576 850301....	1....	SPRING	26..	539 991073....	2....	NUT 5/16-24 HEX JAM LH
12..	539 131799....	1....	KNOB	27..	539 990717....	6....	NUT 5/16-18 HEX NYLOC
13..	580 624201....	2....	ROD, MOTION CONTROL	28..	539 990585....	4....	NUT 5/16-18 HEX WHIZLK
14..	539 115729....	2....	ROD END RH	29..	539 990223....	4....	NUT 5/16-24 HEX
15..	539 116690....	2....	ROD END MALE LH	30..	539 990188....	4....	WASHER 5/16 SAE FLT

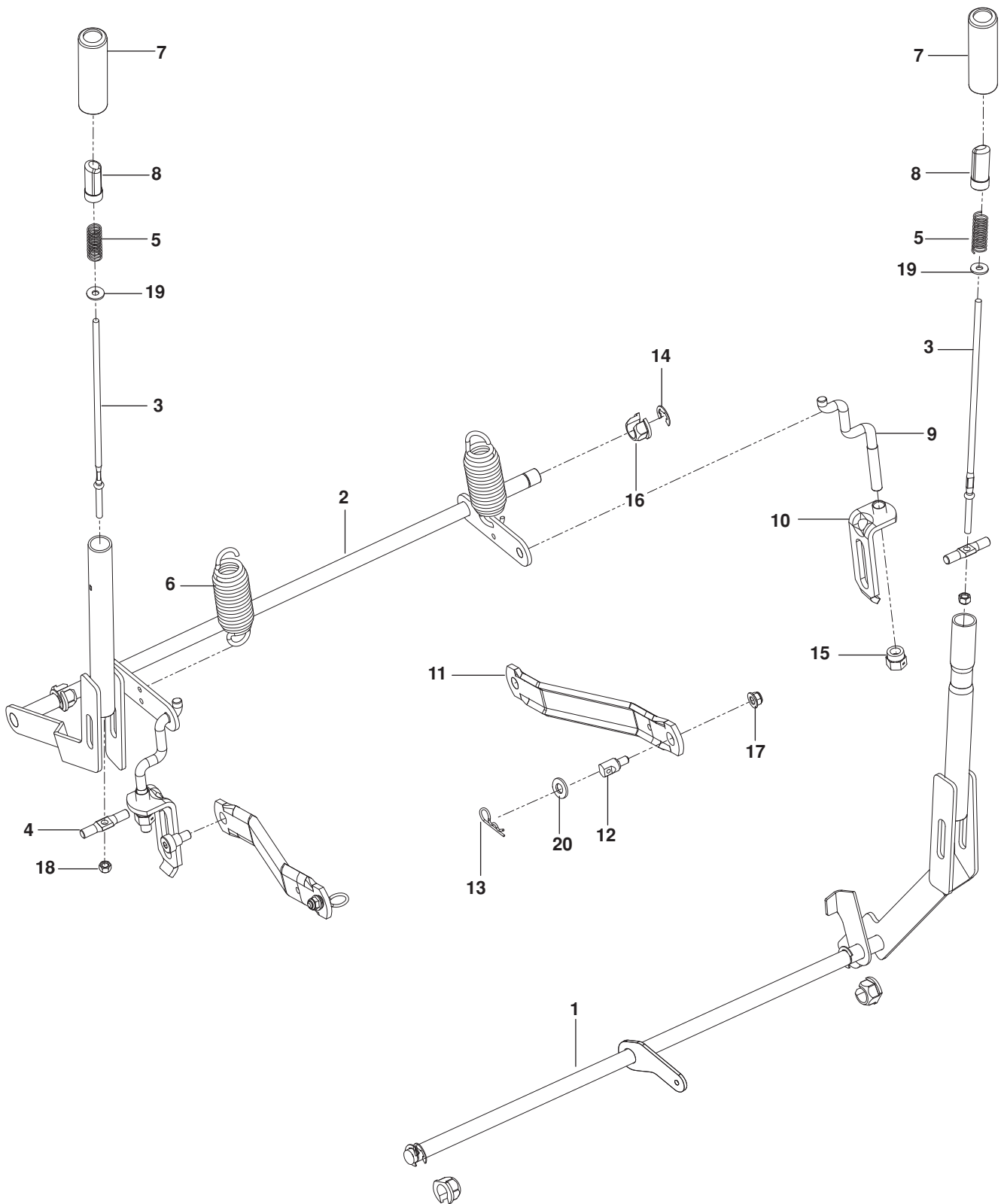
IGNITION



IGNITION

ITEM	PART NO.	QTY.	DESCRIPTION	ITEM	PART NO.	QTY.	DESCRIPTION
1..	578 178901....	1....	FENDER, RT GRY	29..	576 660702 ...	1....	FUEL LINE ASSY
2..	539 130374....	1....	FENDER, LT GRY	30..	539 932956....	1....	FUEL LINE 10"
3..	578 180601....	1....	TANK ASSY, FUEL	31..	539 104993....	1....	FUEL LINE 14"
4..	575 018101....	1....	CAP, FUEL w/ TETHER	32..	576 660602....	1....	HOSE 3/16" VAPOR 48"
5..	539 112734....	1....	CABLE, THROTTLE	33..	522 559101....	1....	SHIELD, HEAT
6..	532 140401....	1....	KEY, IGNITION	34..	532 401763....	1....	HOUR METER
7..	539 107541....	1....	SWITCH, IGNITION	35..	539 112439....	1....	CONTROL, CHOKE
8..	532 174652....	1....	SWITCH, CLUTCH	36..	539 102678....	2....	PLATE, TAPPED
9..	539 113792....	1....	SWITCH, BRAKE	37..	539 133049....	1....	KNOB
10..	532 109553....	2....	SWITCH, NC	38..	539 103306....	1....	CABLE, POSITIVE RED
11..	539 112735....	1....	PANEL, CONTROL	39..	539 110068....	1....	CABLE, NEGATIVE BLK
12..	539 102436....	1....	BATTERY	40..	539 990053....	1....	WASHER 1/4 ITLW
13..	539 131209....	1....	TIE DOWN, BATTERY	41..	539 110673....	2....	SCREW 10-24 x 3/4 WSH HD
14..	510 231302....	1....	BOX, BATTERY BLK	42..	539 990411....	2....	SCREW 10-24 x 1/2 HEX HD
15..	532 131563....	3....	TERMINAL COVER	43..	539 111229....	1....	SCREW 1/4-20 x 5/8 BTN SKT
16..	539 102759....	1....	INSULATOR	44..	574 822701....	4....	SCREW 10-24 x 3/4 SKT HD
17..	576 618101....	1....	VALVE, FUEL CHECK	45..	872 140506....	2....	RHSNB 5/16-18 x 3/4
18..	539 916325....	1....	VALVE, FUEL	46..	872 140608....	2....	RHSNB 3/8-16 x 1
19..	532 192507....	1....	SOLENOID	47..	817 490408....	2....	BOLT 1/4-20 x 1/2
20..	539 912222....	4....	CLAMP, HOSE	48..	539 976977....	2....	NUT 10-24 HEX NYLOC
21..	505 280001....	4....	TIE w/ CLIP	49..	873 800400....	5....	NUT 1/4-20 HEX NYLOC
22..	539 105245....	1....	GROMMET, RUBBER	50..	539 112899....	2....	NUT 5/16-18 FLANGE NYLOC
23..	576 618201....	1....	GROMMET, CHECK VALVE	51..	521 996501....	2....	NUT 3/8-16 HEX FLG NYLOC
24..	539 110432....	1....	ELBOW	NOT SHOWN			
25..	539 110056....	1....	LENS, LT	581 091901 ...	1....	HARNESS, WIRING	
26..	539 110455....	1....	RIM, LT				
27..	539 110057....	1....	LENS, RT				
28..	539 110451....	1....	RIM, RT				

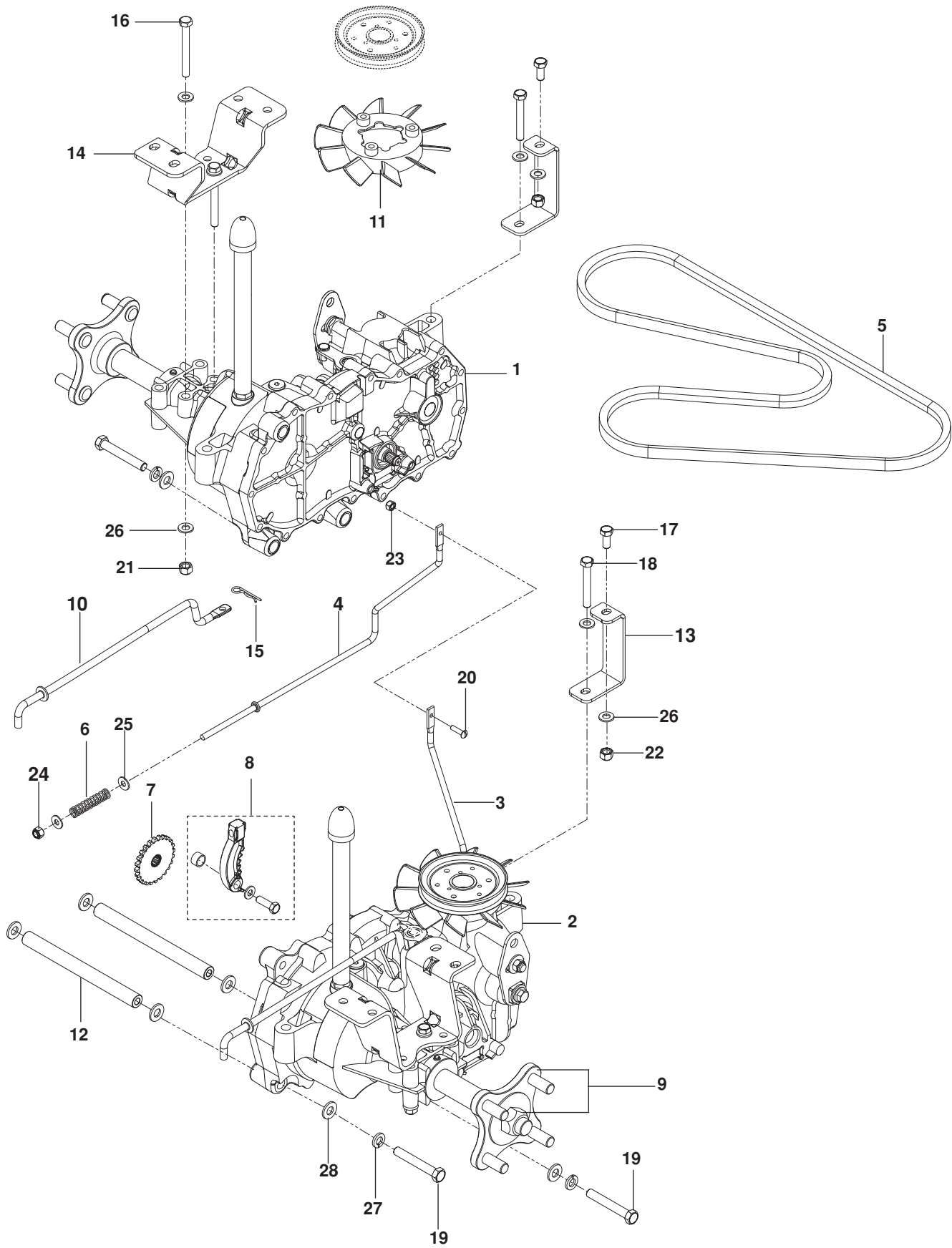
BRAKE / LIFT



BRAKE / LIFT

ITEM	PART NO.	QTY.	DESCRIPTION	ITEM	PART NO.	QTY.	DESCRIPTION
1..	580 435801....	1....	SHAFT, BRAKE	11..	532 195185....	2....	ARM, SUSPENSION RR
2..	532 448208....	1....	SHAFT, LIFT	12..	532 195161....	2....	STUD w/ANTI- ROTATE
3..	510 422901....	2....	ROD, HANDLE RELEASE	13..	539 976989....	2....	HAIRPIN
4..	580 960401....	1....	ROD, LATCH RELEASE	14..	539 105069....	3....	E-RING
5..	510 030701....	2....	SPRING, COMPRESSION	15..	532 175994....	2....	NUT, LIFT LINK
6..	539 118762....	2....	SPRING	16..	510 184901....	4....	NUT, PLASTIC
7..	510 207201....	2....	GRIP, HANDLE	17..	539 112899....	2....	NUT ⁵ / ₁₆ -18 HEX FLG NYLOC
8..	510 207301....	2....	BUTTON, PUSH	18..	873 800400....	2....	NUT 1/4-20 HEX NYLOC
9..	525 847201....	2....	LINK, REAR SUSPENSION	19..	819 091216....	1....	WASHER 1/4 FLT
10..	522 858601....	2....	BRACKET, CENTERING LNK	20..	819 212113....	2....	WASHER ⁵ / ₈ SAE FLT

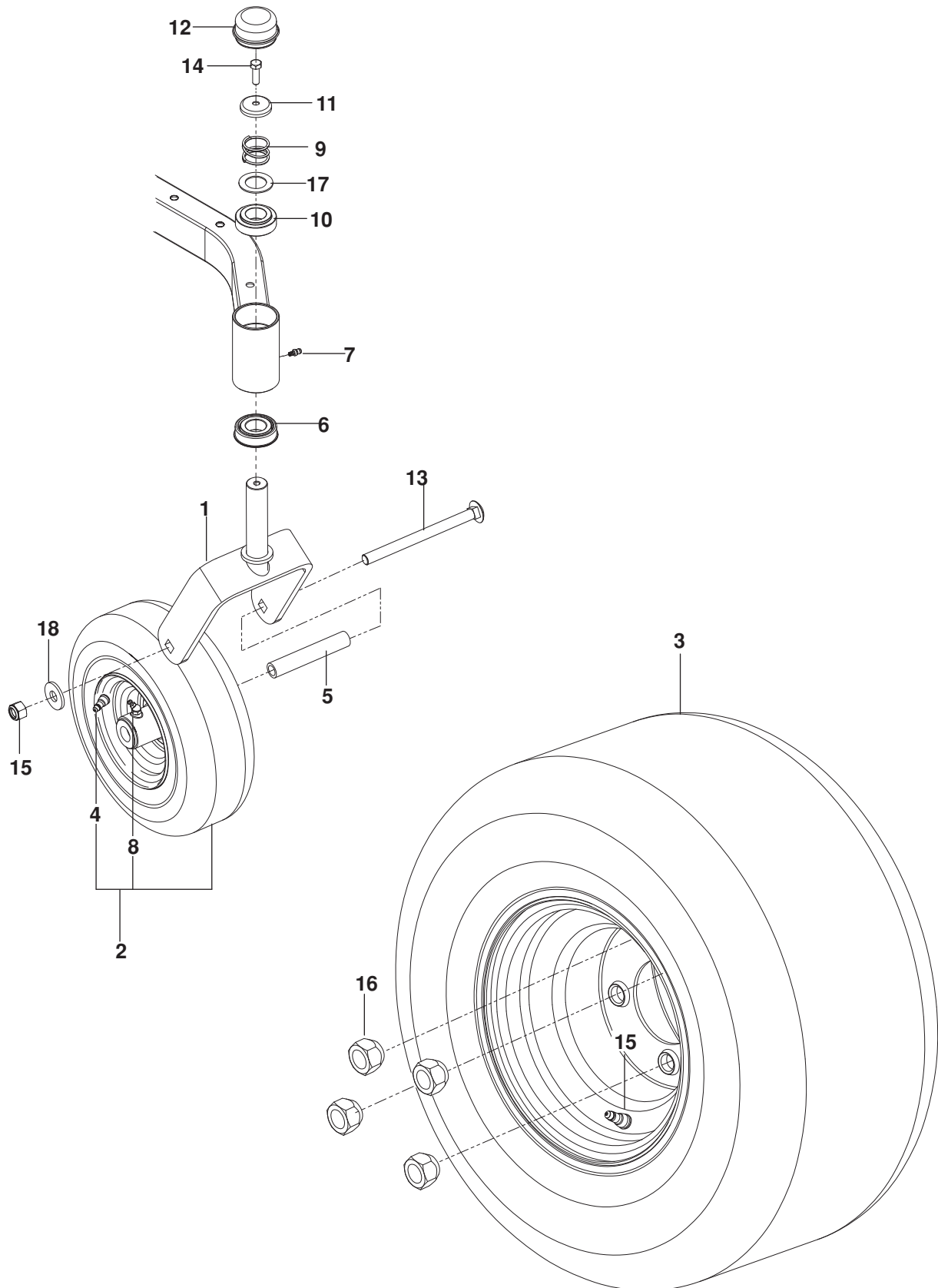
HYDRAULIC PUMP - MOTOR



HYDRAULIC PUMP-MOTOR

ITEM	PART NO.	QTY.	DESCRIPTION	ITEM	PART NO.	QTY.	DESCRIPTION
1..	510 375601....	1....	EZT, LT	15..	539 976988....	1....	HAIRPIN
2..	510 375602....	1....	EZT, RT	16..	539 101721....	4....	HCS $\frac{5}{16}$ -18 x $2\frac{3}{4}$
3..	574 030501....	1....	ROD, EZT BRAKE LT	17..	539 976934....	2....	HCS $\frac{5}{16}$ -18 x $\frac{3}{4}$
4..	574 030502....	1....	ROD, EZT BRAKE RT	18..	539 976938....	2....	HCS $\frac{5}{16}$ -18 x $2\frac{1}{4}$
5..	539 110411....	1....	BELT, EZT	19..	539 990637....	4....	HCS $\frac{3}{8}$ -16 x $2\frac{1}{2}$
6..	539 110342....	2....	SPRING, BRAKE ROD	20..	539 108535....	1....	SCREW 10-24 x $\frac{3}{4}$ SLTD RD
7..	539 120080....	2....	COG, BRAKE DISC	21..	539 990717..	10....	NUT $\frac{5}{16}$ -18 HEX NYLOC
8..	539 120079....	2....	BRAKE ARM KIT	22..	539 115617....	2....	NUT $\frac{5}{16}$ -18 NYLOC INSERT
9..	575 507001....	1....	HUB KIT w/ HUBS, NUTS	23..	539 976977....	1....	NUT 10-24 HEX NYLOC
10..	522 941101....	2....	LINK ARM, BYPASS	24..	539 976978....	2....	NUT $\frac{1}{4}$ -20 HEX NYLOC
11..	539 120785....	2....	BLADE, FAN	25..	539 990055....	4....	WASHER $\frac{1}{4}$ SAE FLT
12..	510 184101....	2....	SPACER TUBE	26..	539 990188..	14....	WASHER $\frac{5}{16}$ SAE FLT
13..	522 460702....	2....	SUPPORT, EZT FRT	27..	539 990118....	4....	WASHER $\frac{3}{8}$ SPLT LCK
14..	510 185102....	2....	MOUNT, EZT RR BLK	28..	539 990122....	8....	WASHER $\frac{3}{8}$ SAE FLT

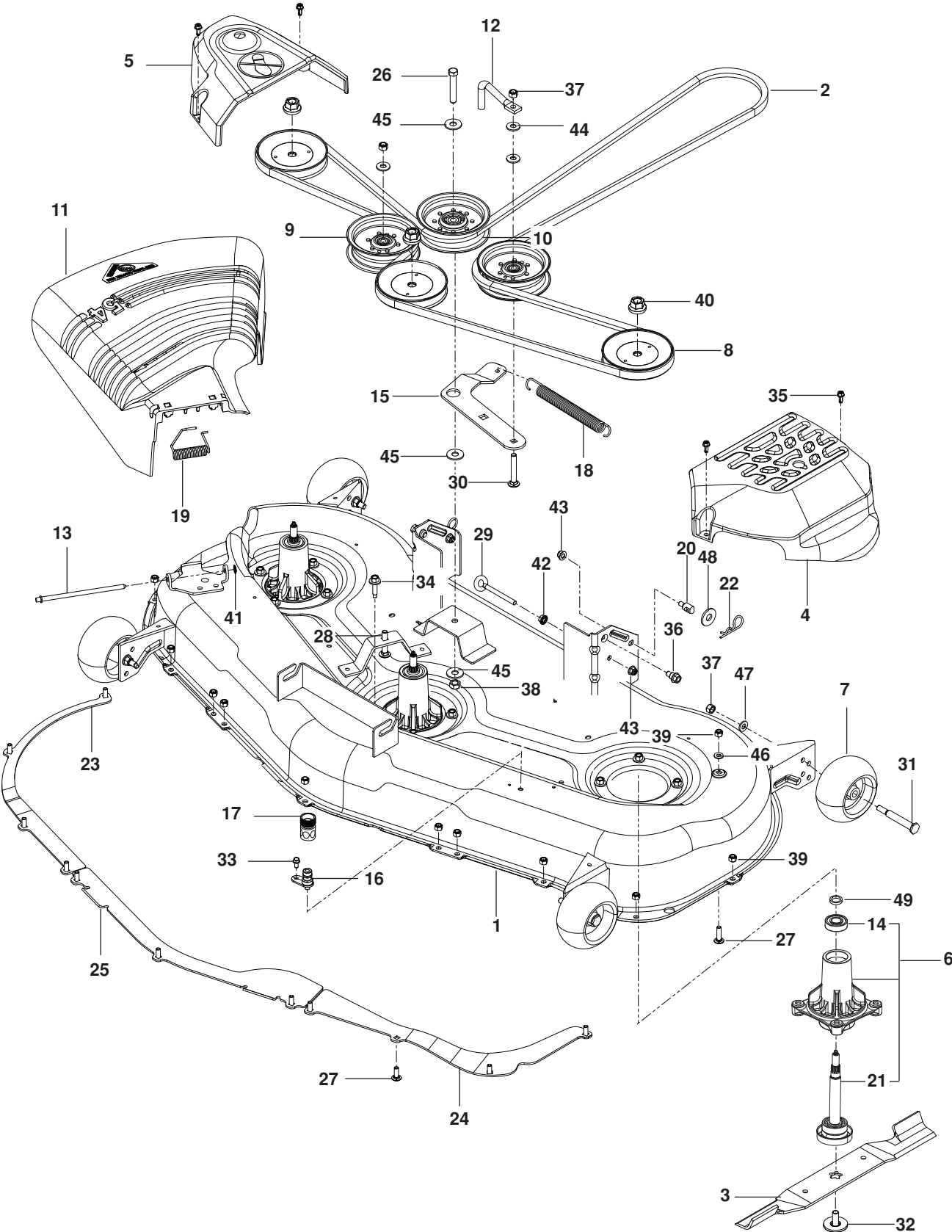
WHEELS AND TIRES



WHEELS AND TIRES

ITEM	PART NO.	QTY.	DESCRIPTION	ITEM	PART NO.	QTY.	DESCRIPTION
1..	576 588802....	2....	YOKE, ORG	10..	539 117901....	2....	BUSHING, CASTER
2..	576 588602....	2....	CASTER TIRE ASSY	11..	539 115749....	2....	PLUG, CASTER
3..	579 753401....	2....	WHEEL ASSY, REAR 18 x 9.5	12..	539 102535....	2....	GREASE CAP
4..	539 912234....	4....	VALVE STEM	13..	576 601501....	2....	RHSNB 1/2-13 x 7 1/2
5..	576 588901....	2....	SPACER	14..	539 115566....	2....	HHB w/ NY 5/16-18 x 1
6..	539 112660....	2....	BEARING, FLANGED	15..	539 200100....	2....	NUT 1/2 HEX CNTRLK
7..	539 115638....	2....	ZERK 3/16 DRIVE	16..	539 101173....	8....	NUT 1/2 LUG
8..	539 103300....	2....	ZERK	17..	539 115675....	2....	WASHER
9..	539 115747....	2....	SPRING, CASTER	18..	819 182212....	2....	WASHER 1/2 FLT

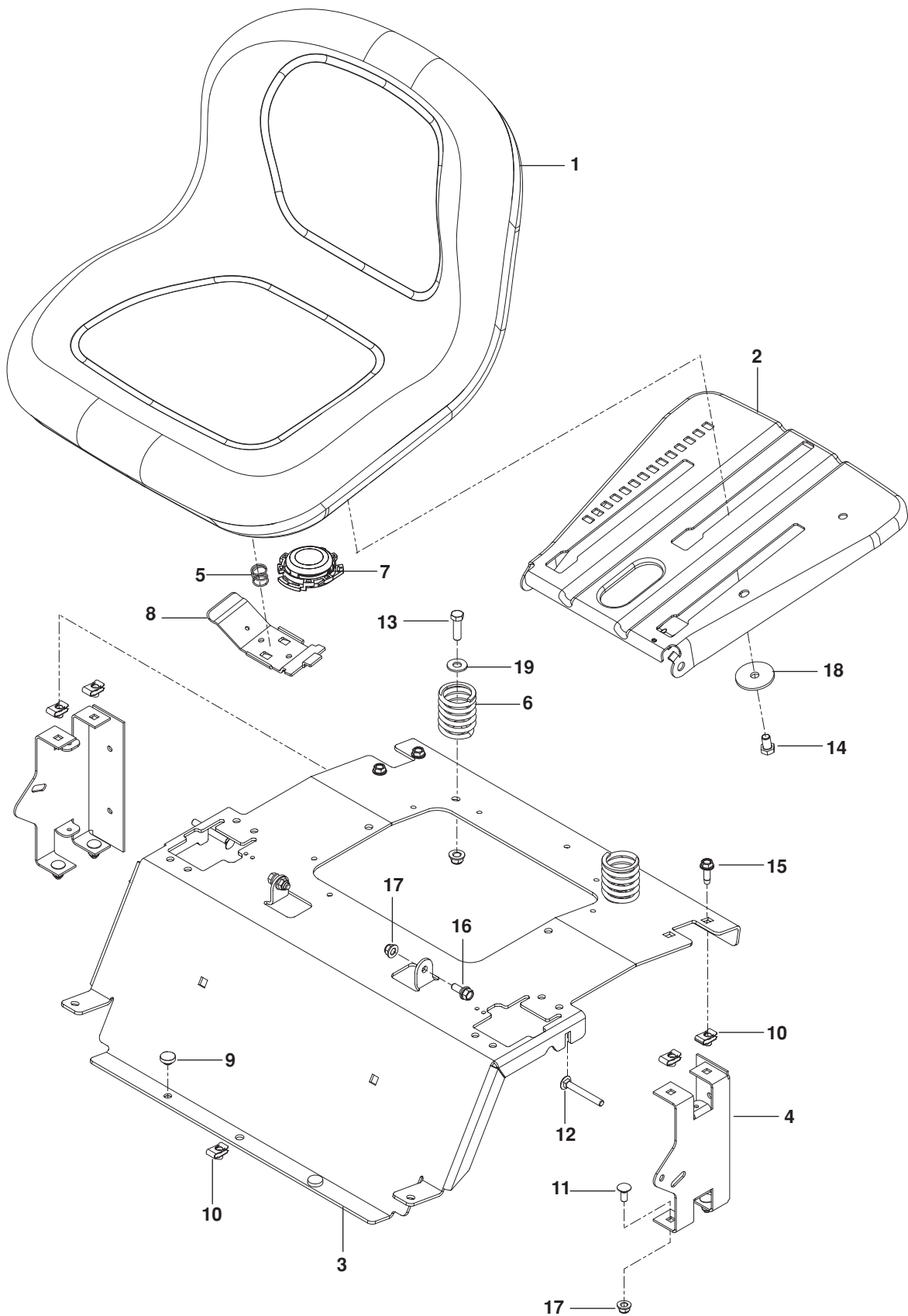
MOWER DECK / CUTTING DECK



MOWER DECK / CUTTING DECK

ITEM	PART NO.	QTY.	DESCRIPTION	ITEM	PART NO.	QTY.	DESCRIPTION
1..	522 744401....	1....	DECK w/ SAFETY DECALS	26..	874 780740....	1....	HCS $\frac{7}{16}$ -14 x $2\frac{1}{2}$
2..	539 114557....	1....	V-BELT	27..	872 140506..	12....	RHSNB $\frac{5}{16}$ -18 x $\frac{3}{4}$
3..	532 187256....	3....	BLADE, BAGGING	28..	872 140616....	1....	RHSNB $\frac{3}{8}$ -16 x 2
4..	532 187297....	1....	BELT SHIELD, LT	29..	539 115574....	1....	EYE BOLT $\frac{5}{16}$ x $3\frac{1}{2}$
5..	532 188187....	1....	BELT SHIELD, RT	30..	539 128101....	1....	BOLT $\frac{3}{8}$ -16 x $2\frac{1}{4}$ CARRIAGE
6..	532 187292....	3....	HOUSING ASSY, CUTTER	31..	532 193406....	4....	BOLT $\frac{1}{8}$ -16 x $3\frac{5}{8}$ SHOULDER
7..	532 174873....	4....	WHEEL, GAUGE	32..	532 193003....	3....	BOLT WASHER ASSM
8..	532 173436....	3....	PULLEY	33..	817 490408....	1....	BOLT $\frac{1}{4}$ -20 x $\frac{1}{2}$ HWST
9..	532 196106....	2....	PULLEY, IDLER	34..	532 173984..	12....	SCREW $\frac{5}{16}$ -18 x WSHR HD
10..	532 196104....	1....	PULLEY, IDLER	35..	532 137729....	4....	SCREW $\frac{1}{4}$ -20 x $\frac{5}{8}$ THDROLL
11..	532 187257....	1....	DEFLECTOR	36..	532 196539....	2....	SCREW, SHOULDER
12..	522 629701....	1....	KEEPER, BELT	37..	873 900600....	6....	NUT $\frac{3}{8}$ -16 HEX NYLOC
13..	532 131491....	1....	ROD, HINGE	38..	539 119124....	1....	NUT $\frac{7}{16}$ -14 HEX
14..	532 110485....	3....	BEARING	39..	873 800500..	12....	NUT $\frac{5}{16}$ -18 HEX NYLOC
15..	510 220002....	1....	ARM, IDLER	40..	532 400234....	3....	NUT $\frac{9}{16}$ TOP CNTRLK
16..	532 415598....	1....	PORT, WASHOUT	41..	532 110452....	1....	PUSHNUT
17..	532 416405....	1....	COUPLING, QUICK CONN	42..	539 990585....	1....	NUT $\frac{5}{16}$ -18 HEX WHIZLK
18..	539 120920....	1....	SPRING, DECK BELT	43..	539 112899....	3....	NUT $\frac{5}{16}$ -18 FLANGE NYLOC
19..	532 178102....	1....	SPRING, TORSION	44..	819 141614....	3....	WASHER $\frac{3}{8}$ FLAT STD
20..	532 195161....	2....	STUD, w/ ANTI-ROTATE	45..	539 104864....	3....	WASHER $\frac{7}{16}$ FLAT
21..	532 187291 ...	3....	SHAFT	46..	819 111116....	1....	WASHER $\frac{5}{16}$ SAE FLAT
22..	539 976989....	2....	HAIRPIN #4	47..	819 132012....	4....	WASHER 12 GAUGE
23..	532 187342....	1....	BAFFLE, RT	48..	819 212113....	2....	WASHER $\frac{1}{2}$ FLAT
24..	532 187344....	1....	BAFFLE, LT	49..	532 187690....	3....	WASHER/SPACER
25..	532 187607....	1....	BAFFLE, CNTR				

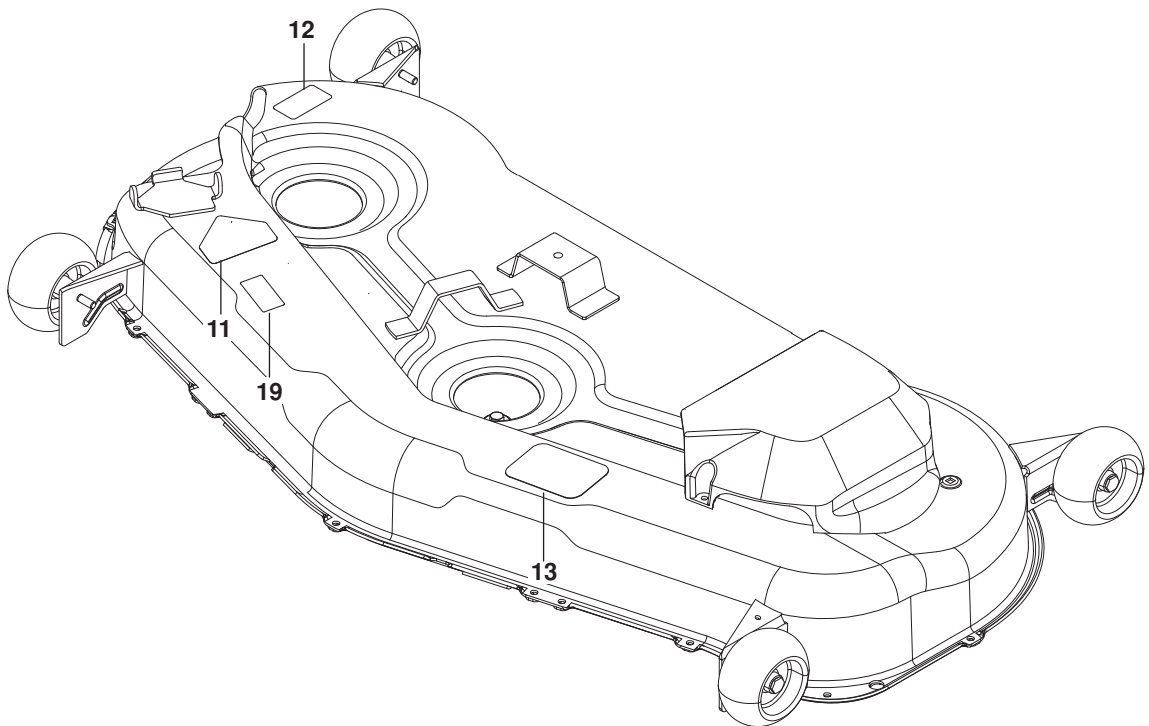
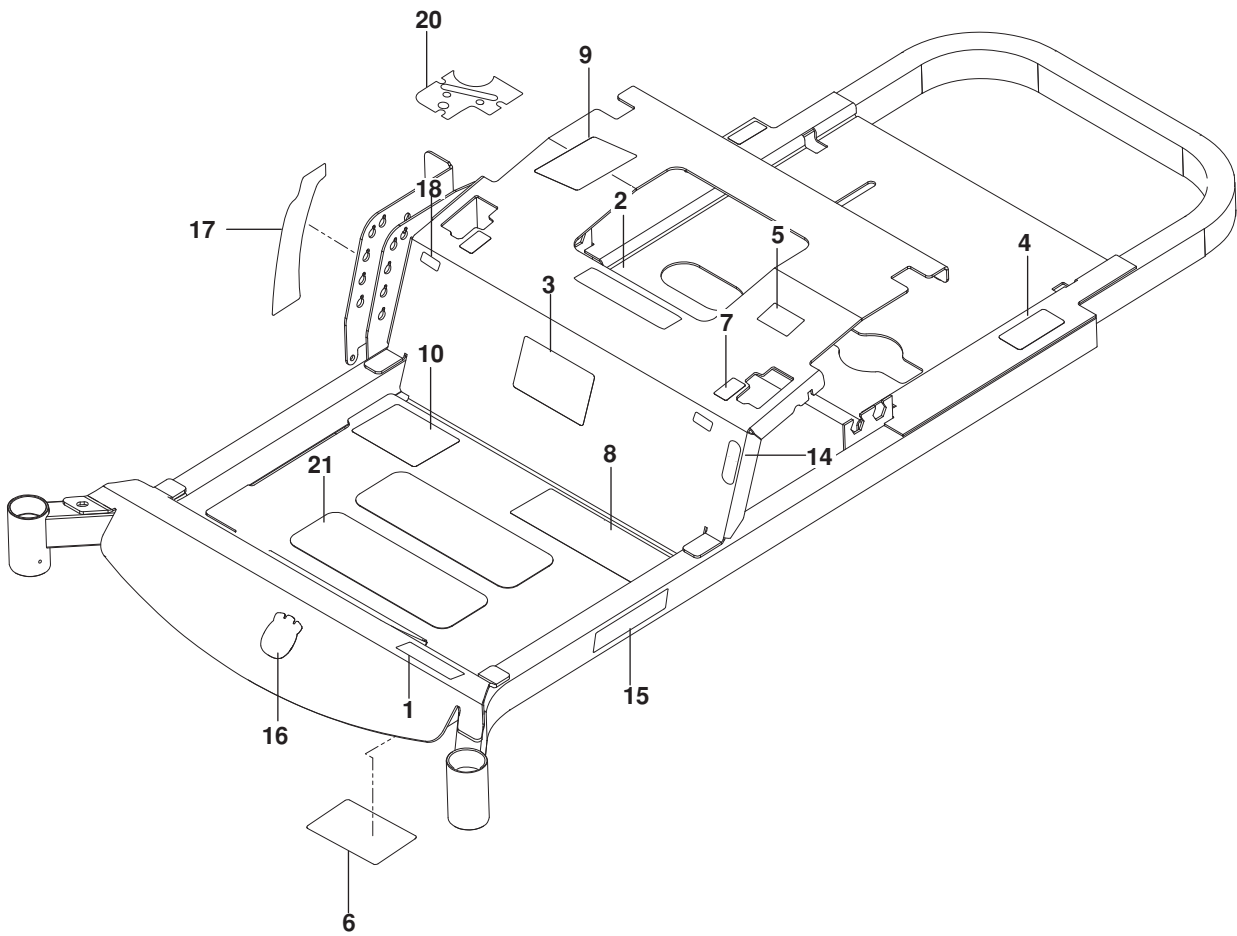
SEAT



SEAT

ITEM	PART NO.	QTY.	DESCRIPTION	ITEM	PART NO.	QTY.	DESCRIPTION
1..	532 439822....	1....	SEAT	11..	539 990316....	4....	RHSNB $\frac{5}{16}$ -18 x $\frac{3}{4}$
2..	532 196977....	1....	PAN, SEAT	12..	510 422701....	2....	RHSNB $\frac{5}{16}$ -18 x $2\frac{1}{2}$
3..	577 260503....	1....	SUPPORT, SEAT ORG	13..	539 976941....	2....	HCS $\frac{3}{8}$ -16 x $1\frac{1}{4}$
4..	580 308202....	2....	SUPPORT, SEAT RR BLK	14..	539 108503....	1....	HCS $\frac{3}{8}$ -16 x $\frac{5}{8}$
5..	532 198200....	1....	SPRING, LATCH	15..	539 107475....	4....	BOLT $\frac{5}{16}$ -18 x $\frac{3}{4}$ THD FRM
6..	532 124181....	2....	SPRING, SEAT	16..	539 110303....	2....	BOLT $\frac{5}{16}$ -18 SHOULDER
7..	539 132140....	1....	SWITCH, SEAT	17..	539 112899....	4....	NUT $\frac{5}{16}$ -18 HEX FLG NYLOC
8..	532 197661....	1....	HANDLE, SLIDE	18..	539 111897....	1....	WASHER $\frac{3}{8}$ SPECIAL
9..	539 102587....	2....	GROMMET, BUMPER	19..	539 990517....	2....	WASHER $\frac{3}{8}$ STD FLT
10..	539 104763....	5....	RETAINER, U TYPE				

DECALS

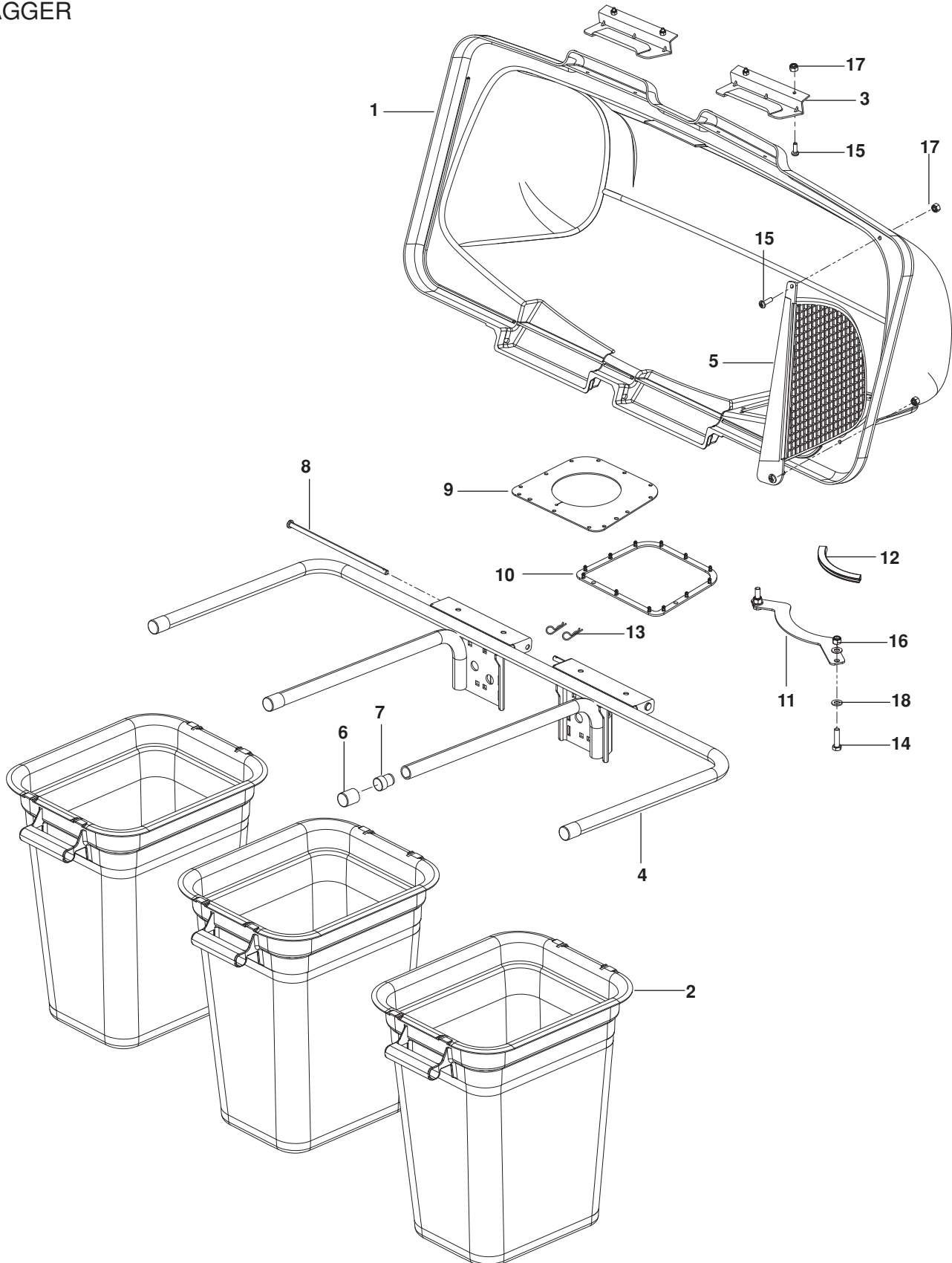


DECALS

ITEM	PART NO.	QTY.	DESCRIPTION	ITEM	PART NO.	QTY.	DESCRIPTION
1..	521 949313....	1....	DECAL, RZ5424	12..	539 113224....	1....	DECAL, DEFLECTOR
2..	539 105745....	1....	DECAL, BATTERY WARNING	13..	539 112620....	1....	DECAL, BELT ROUTING
3..	539 108179....	1....	DECAL, START	14..	539 120006....	1....	DECAL, PARK BRAKE
4..	539 108385....	1....	DECAL, DO NOT TOW	15..	532 429196....	2....	DECAL, HUSQVARNA
5..	539 108386....	1....	DECAL, EXIT MOWER	16..	532 428676....	2....	DECAL, CROWN H
6..	539 109897....	1....	DECAL, SERVICE	17..	576 979101....	1....	DECAL, HEIGHT
7..	539 103333....	2....	DECAL, MOTION CONTROL	18..	539 110974....	2....	DECAL, TRACKING
8..	539 109908....	1....	DECAL, SAFETY WARNING	19..	539 105746....	1....	SEVERING
9..	539 110522....	1....	DECAL, RESPONSIBILITY	20..	576 916702....	1....	DECAL, CONSOLE
10..	539 113213....	1....	DECAL, WARNINGS	21..	539 977778....	3....	ABRASIVE PAD
11..	539 913010....	1....	DECAL, BLADE DANGER				

ACCESSORIES

BAGGER

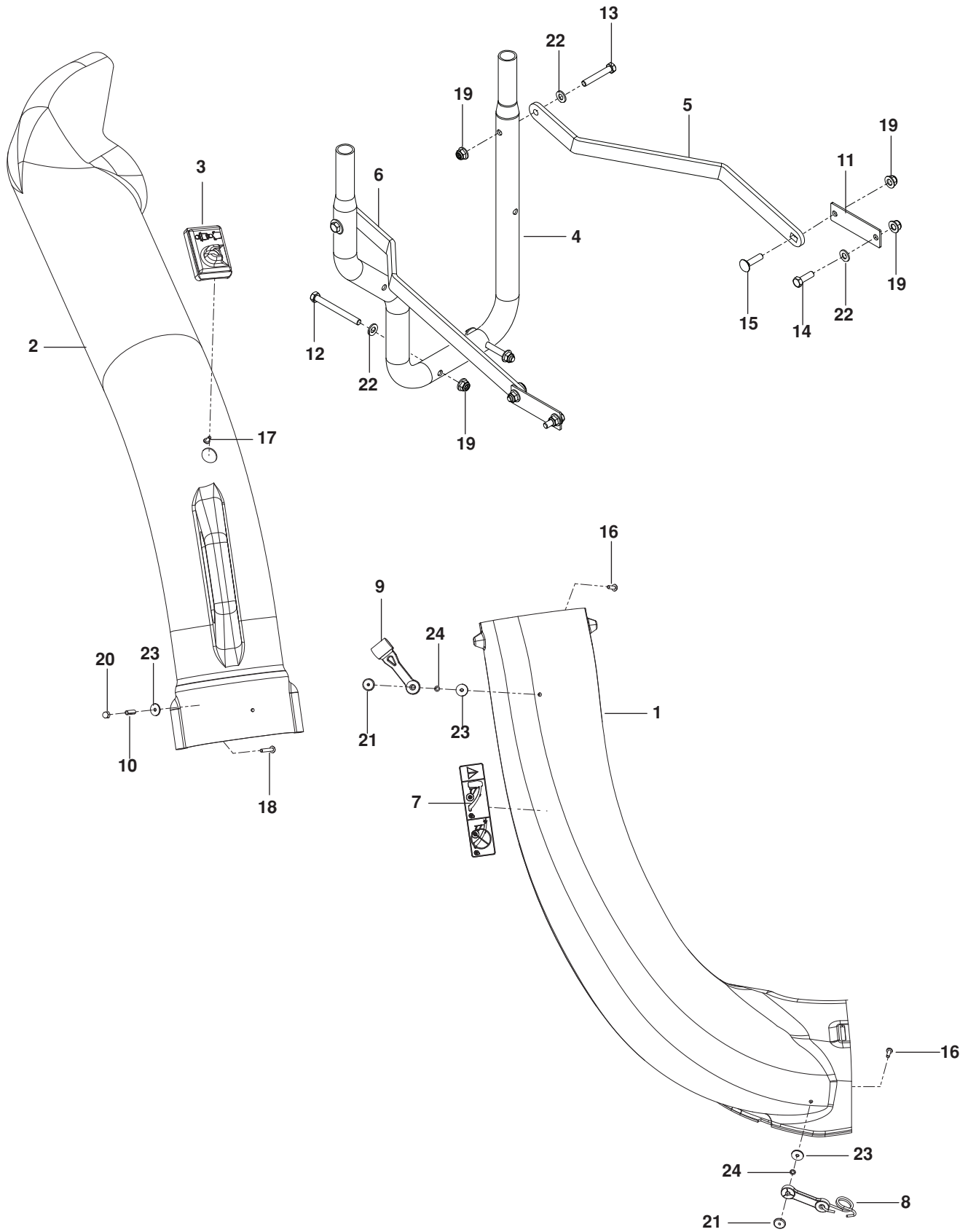


ACCESSORIES

ITEM	PART NO.	QTY.	DESCRIPTION	ITEM	PART NO.	QTY.	DESCRIPTION
1..	532 195373....	1....	COVER	10..	532 192603....	1....	GASKET, COVER
2..	532 400226....	3....	CONTAINER, SOFT BAG	11..	539 110281....	1....	SUPPORT, CHUTE
3..	532 130895....	2....	HANDLE, BAGGER COVER	12..	539 112294....	1....	FLEX TRIM
4..	539 108098....	1....	FRAME, BAGGER	13..	539 108096....	2....	HAIR PIN
5..	532 192709....	1....	SCREEN, COVER	14..	539 990627....	2....	HCS $\frac{5}{16}$ -18 x $1\frac{1}{4}$
6..	539 108097....	4....	PLUG, TUBING END	15..	539 976952....	6....	SCREW #10-24 x $\frac{5}{8}$
7..	522 801301....	2....	PLUG, SPACER	16..	539 112899....	2....	NUT $\frac{5}{16}$ -18 HEX FLG NYLOC
8..	532 192786....	2....	PIN, HINGE	17..	539 976977....	6....	NUT #10-24 CROWNLOCK
9..	532 192550....	1....	SEAL, COVER	18..	539 990188....	4....	WASHER $\frac{5}{16}$ SAE

ACCESSORIES

CHUTES, MOUNT



ACCESSORIES

ITEM	PART NO.	QTY.	DESCRIPTION	ITEM	PART NO.	QTY.	DESCRIPTION
1..	539 113204....	1....	CHUTE, LOWER	13..	539 976937....	2....	HCS ⁵ / ₁₆ -18 x 2
2..	539 108141....	1....	CHUTE, UPPER	14..	539 990627....	4....	HCS ⁵ / ₁₆ -18 x 1 ¹ / ₄
3..	539 108082....	1....	INDICATOR, BAG DUMP	15..	539 100472....	2....	RHSNB ⁵ / ₁₆ -18 x 1 ¹ / ₄
4..	539 131091....	1....	TUBE MOUNT	16..	539 976952....	3....	SCREW #10-24 x ⁵ / ₈
5..	522 854502....	1....	STRAP, SUPPORT, LT	17..	539 108081....	1....	SCREW #10-14 x ¹ / ₂
6..	522 854402....	1....	STRAP, SUPPORT, RT	18..	539 108083....	1....	SCREW #10-24 x 1 ¹ / ₈
7..	539 108163....	1....	DECAL, CATCHER	19..	539 112899..	10....	NUT ⁵ / ₁₆ -18 HEX FLG NYLOC
8..	539 108194....	2....	LATCH ASSY, CHUTE	20..	539 108086....	1....	NUT #10-24 ACORN
9..	539 108088....	1....	LATCH, HOOD	21..	539 108089....	3....	NUT #10-24 WELD PLATED
10..	539 108085....	1....	SPACER, SPLIT	22..	539 990188....	6....	WASHER ⁵ / ₁₆ SAE FLAT
11..	523 112802....	2....	PLATE	23..	539 108084....	3....	WASHER ³ / ₁₆ x ³ / ₄ 16 GA
12..	539 101520....	2....	HCS ⁵ / ₁₆ -18 x 3 ¹ / ₄	24..	539 109552....	3....	WASHER ³ / ₁₆ LOCK

